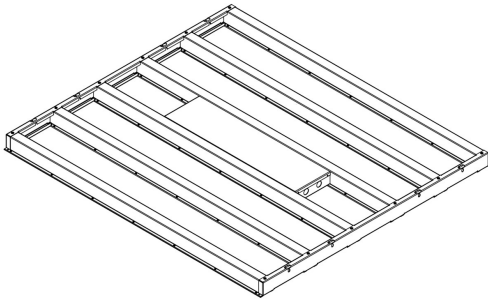




PerfectPar™ 1000W LED Grow Light



Efficacy: 2.7 $\mu\text{mol}/\text{J}$
PPFD: 2620 $\mu\text{mol}/\text{s}/\text{m}^2$

- CREE, OSRAM, and SAMSUNG LEDs
- Built in the USA

Powerful, Efficient, Spectrum Control

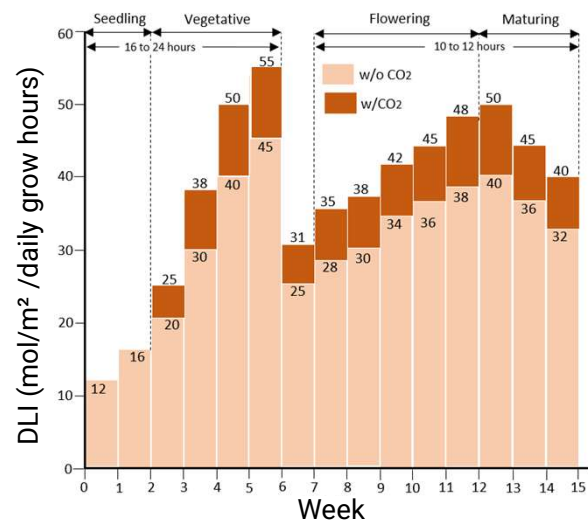
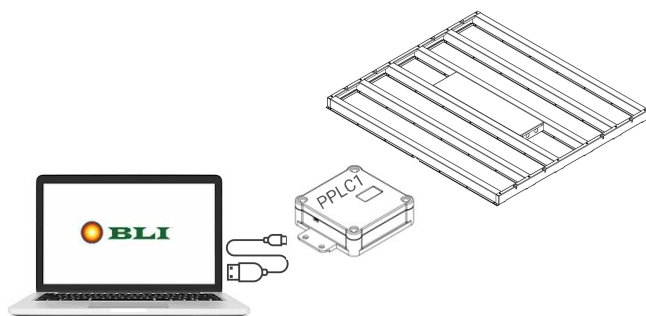
Boulderlamp PerfectPar™ 1000W full-spectrum LED grow light is designed for single or multi-tier commercial horticulture cultivation in a greenhouse, vertical farm, or other indoor facility.

PerfectPar™ 1000W is a high power and very high PPFD 6-bar LED grow light for deeper canopy light penetration promoting robust plant growth for higher yield and quality.

NEW Features

2-channel spectrum control

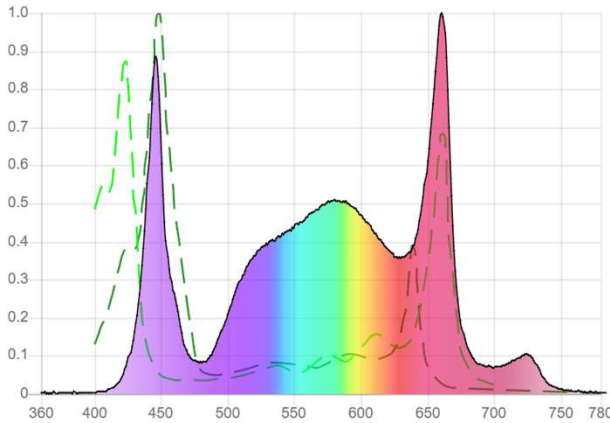
Red and white spectrum can be controlled independently. Our lighting controller enables you turn on and off lights according to your daily grow schedule and you can also set daily or weekly light levels for maximizing energy savings and yield. Flowering or vegetative growth periods can be divided into multiple segments where light level for each segment can be programmed as you desire.



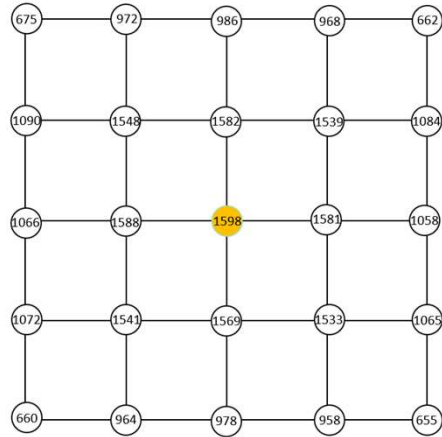


Boulderlamp PerfectPar™ 1000W

Full-Spectrum Spectral Power Distribution



PerfectPar 1000W PPFD Map
4' x 5' grow tent with reflective surfaces
Hang height: 1 foot (30.5 cm)



Summary Specifications

Nominal input current: 277/240/208/120VAC	3.50/4.44/4.72/8.25A
Nominal input power: 277/240/208/120VAC	972/976/980/990W
BTU: 277/240/208/120VAC	3315/3328/3342/3376
Dimming range	100% -10%
Daisy chain units per 20A circuit: 277/240/208/120VAC	4/3/3/1
Coverage area	Up to 25 square feet
Dimension (L x W x H)	47" x 42" x 2.4"
Efficacy	2.7 μmol/J
Photosynthetic Photon Flux Density (PPFD) @277V	2620
Weight	30lb
Warranty	5 years

Screenshot of Default Flowering Light Level/Recipe - Week by Week

Lighting Schedule Days and Light Level

Start Date	Sep 17 Sep 23	Sep 24 Sep 30	Oct 01 Oct 07	Oct 08 Oct 14	Oct 15 Oct 21	Oct 22 Oct 28	Oct 29 Nov 04	Nov 05 Nov 11	Nov 12 Nov 18
9/9 intervals Ends Friday, November	<input type="checkbox"/> Active	<input type="checkbox"/> Active	<input type="checkbox"/> Active	<input type="checkbox"/> Active	<input type="checkbox"/> Active	<input type="checkbox"/> Active	<input type="checkbox"/> Active	<input type="checkbox"/> Active	<input type="checkbox"/> Active
	7 d.	7 d.	7 d.	7 d.	7 d.	7 d.	7 d.	7 d.	7 d.
	25 %	40 %	50 %	80 %	90 %	100 %	100 %	90 %	80 %