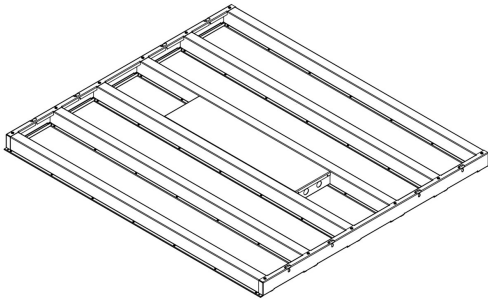




# PerfectPar™ V400W LED Grow Light



- Efficacy 2.6  $\mu\text{mol}/\text{J}$
- PPFD: 1,050  $\mu\text{mol}/\text{s}/\text{m}^2$
- CREE, OSRAM, and SAMSUNG LEDs
- Built in Colorado

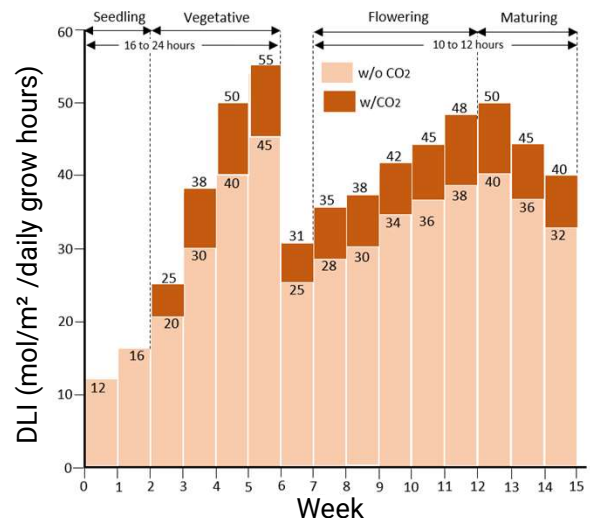
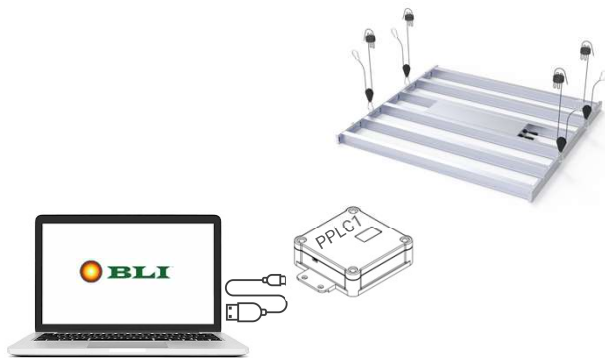
## Efficient, Affordable, and Built to Last

Boulderlamp PerfectPar™ V400W LED grow light is suitable for commercial vegetative grows. This light can also be used single or multi-tier commercial horticulture cultivation in a greenhouse, vertical farm, or other indoor facility.

### NEW Feature

### Control light level week by week

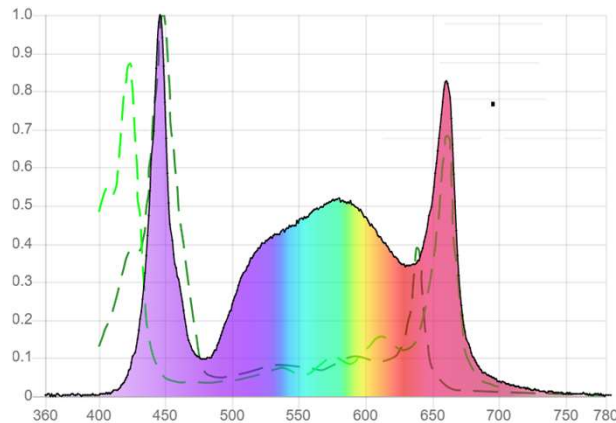
Our lighting controller enables you to set weekly light levels for maximizing energy savings and yield. Vegetative growth period can be divided into multiple segments where light level for each segment can be programmed as you desire.





# Boulderlamp PerfectPar™ V400W

## Full-Spectrum Spectral Power Distribution



### Summary Specifications

Nominal input current: 120/208/240/277VAC	3.3/1.87/1.61/1.39A
Nominal input power: 120/208/240/277VAC	396/390/388/385W
BTU: 120/208/240/277VAC	1,350/1,326/1,316/1,313
Dimming range	100% -10%
Daisy chain units per 20A circuit: 120/208/240/277VAC	4/7/8/10
Coverage area	Up to 20 square feet
Dimension (L x W x H)	47.2" x 45.4" x 2.2"
Efficacy @277V	2.6 $\mu\text{mol}/\text{J}$
Photosynthetic Photon Flux Density (PPFD)	1,020
Weight	20 lb
Warranty	5 years

### Screenshot of Default Flowering Light Level/Recipe - Week by Week

The screenshot shows the 'Lighting Schedule' window in Boulder Lamp Manager T4. The window title is 'Boulder Lamp Manager T4' and it includes the BLI logo and 'Boulderlamp, Inc. Colorado, USA'. The interface shows a table for 'Days and Light Level' with columns for dates and light settings. The 'Start Date' is set to 'Saturday, September'. The table has 10 columns, each representing a 9/9 interval. Each interval includes a date range, an 'Active' checkbox, a duration in days (d), and a light level in percent (%).

Start Date	Days and Light Level	Days and Light Level	Days and Light Level	Days and Light Level	Days and Light Level	Days and Light Level	Days and Light Level	Days and Light Level	Days and Light Level
Saturday, September	Sep 17 - Sep 23	Sep 24 - Sep 30	Oct 01 - Oct 07	Oct 08 - Oct 14	Oct 15 - Oct 21	Oct 22 - Oct 28	Oct 29 - Nov 04	Nov 05 - Nov 11	Nov 12 - Nov 18
9/9 intervals	<input type="checkbox"/> Active	<input type="checkbox"/> Active	<input type="checkbox"/> Active	<input type="checkbox"/> Active	<input type="checkbox"/> Active	<input type="checkbox"/> Active	<input type="checkbox"/> Active	<input type="checkbox"/> Active	<input type="checkbox"/> Active
Ends Friday, November	7 d	7 d	7 d	7 d	7 d	7 d	7 d	7 d	7 d
	25 %	40 %	50 %	80 %	90 %	100 %	100 %	90 %	80 %