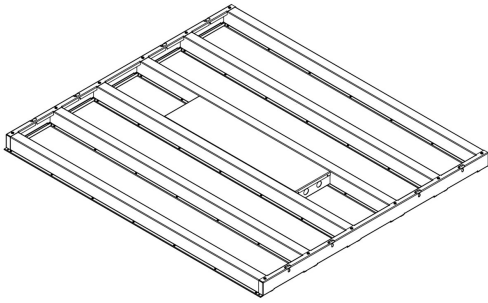




PerfectPar™ 650W LED Grow Light



Efficacy: 2.7 $\mu\text{mol}/\text{J}$
PPFD: 1710 $\mu\text{mol}/\text{s}/\text{m}^2$

- CREE, OSRAM, and SAMSUNG LEDs
- Built in Colorado

Powerful , Efficient, and Built to Last

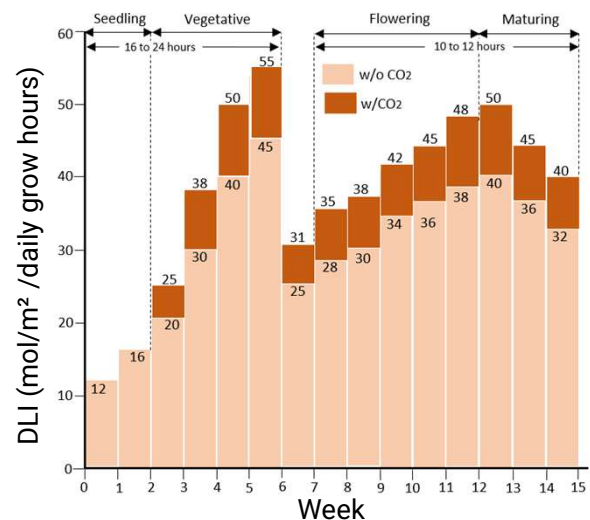
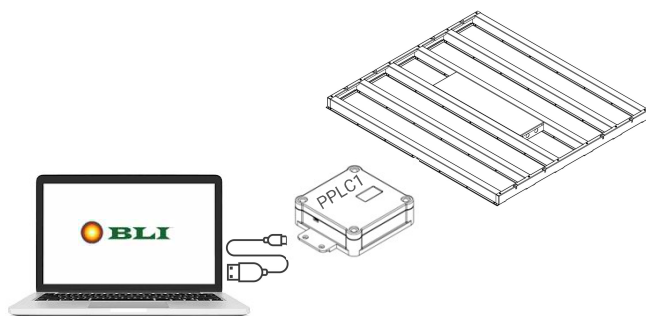
Boulderlamp PerfectPar™ 650W full-spectrum LED grow light is designed for single or multi-tier commercial horticulture cultivation in a greenhouse, vertical farm, or other indoor facility.

PerfectPar™ 650W is a high PPFD 6-bar LED grow light for deeper canopy light penetration promoting robust plant growth for higher yield and quality.

NEW Features

2-channel spectrum control and also set light level daily/weekly

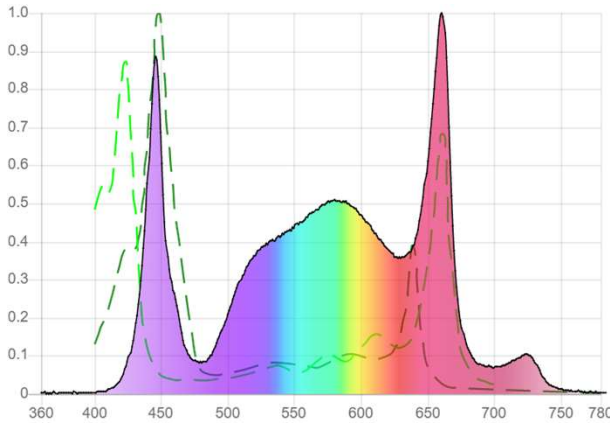
Red and white spectrum can be controlled independently. Our lighting controller enables you turn on and off lights according to your daily grow schedule and you can also set daily or weekly light levels for maximizing energy savings and yield. Flowering or vegetative growth periods can be divided into multiple segments where light level for each segment can be programmed as you desire.



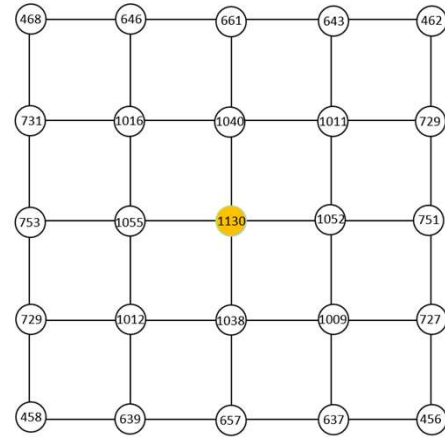


Boulderlamp PerfectPar™ 650W

Full-Spectrum Spectral Power Distribution



PerfectPar 650W PPFD Map
4' x 5' grow tent with reflective surfaces
Hang height: 1 foot (30.5 cm)



Summary Specifications

Nominal input current: 277/240/208/120VAC	2.32/2.68/3.12/5.5A
Nominal input power: 277/240/208/120VAC	642/644/648/660W
BTU: 277/240/208/120VAC	2189/2196/2210/2251
Dimming range	100% -10%
Daisy chain units per 20A circuit: 277/240/208/120VAC	6/5/4/2
Coverage area	Up to 25 square feet
Dimension (L x W x H)	47.2" x 45.4" x 2.2"
Efficacy	2.7 µmol/J
Photosynthetic Photon Flux Density (PPFD) @277V	1710
Weight	23lb
Warranty	5 years

Screenshot of Default Flowering Light Level/Recipe - Week by Week

Lighting Schedule **Days and Light Level**

Start Date	End Date	Active	Interval (d)	Light Level (%)
Saturday, September 17	Sep 23	<input type="checkbox"/>	7	25
Sep 24	Sep 30	<input type="checkbox"/>	7	40
Oct 01	Oct 07	<input type="checkbox"/>	7	50
Oct 08	Oct 14	<input type="checkbox"/>	7	80
Oct 15	Oct 21	<input type="checkbox"/>	7	90
Oct 22	Oct 28	<input type="checkbox"/>	7	100
Oct 29	Nov 04	<input type="checkbox"/>	7	100
Nov 05	Nov 11	<input type="checkbox"/>	7	90
Nov 12	Nov 18	<input type="checkbox"/>	7	80