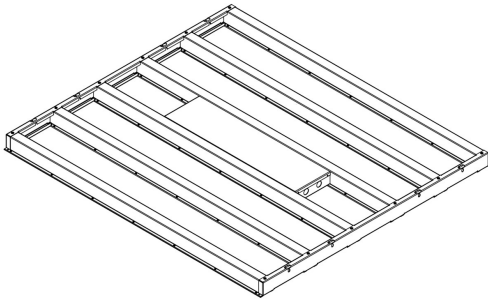




PerfectPar™ 1000W LED Grow Light



Efficacy: 2.7 $\mu\text{mol}/\text{J}$
PPFD: 2620 $\mu\text{mol}/\text{s}/\text{m}^2$

- CREE, OSRAM, and SAMSUNG LEDs
- Built in Colorado

Powerful , Efficient, and Built to Last

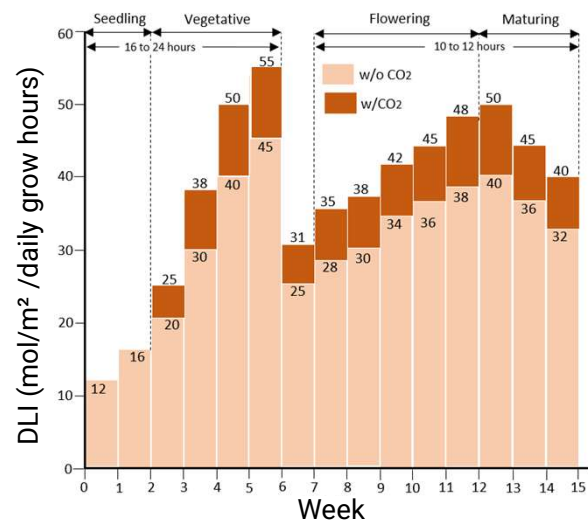
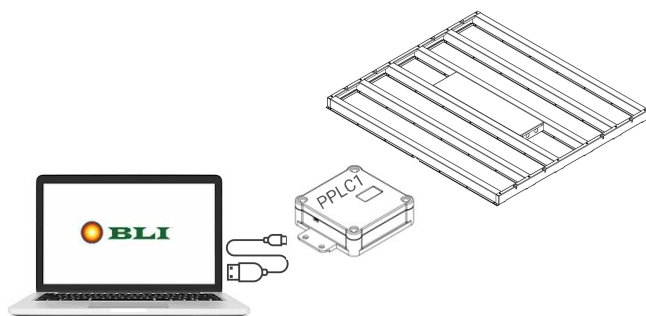
Boulderlamp PerfectPar™ 1000W full-spectrum LED grow light is designed for single or multi-tier commercial horticulture cultivation in a greenhouse, vertical farm, or other indoor facility.

PerfectPar™ 1000W is a high power and very high PPFD 6-bar LED grow light for deeper canopy light penetration promoting robust plant growth for higher yield and quality.

NEW Features

2-channel spectrum control and also set light level daily/weekly

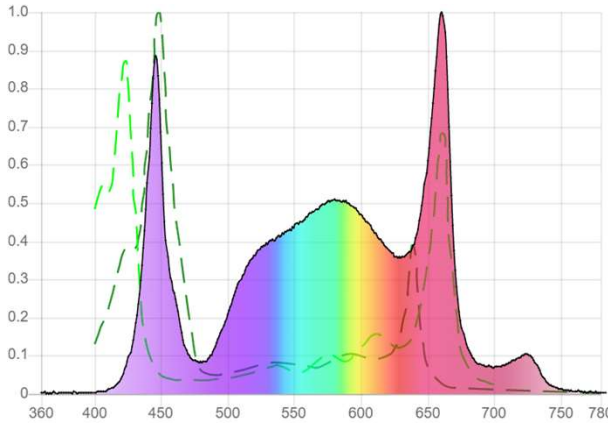
Red and white spectrum can be controlled independently. Our lighting controller enables you turn on and off lights according to your daily grow schedule and you can also set daily or weekly light levels for maximizing energy savings and yield. Flowering or vegetative growth periods can be divided into multiple segments where light level for each segment can be programmed as you desire.



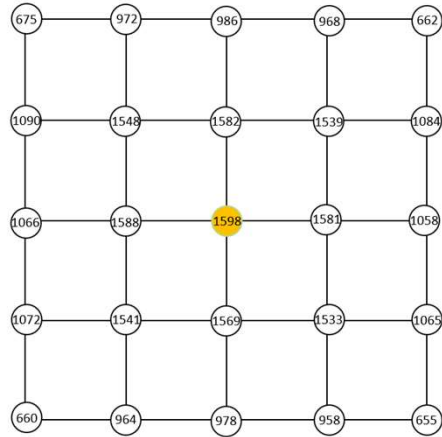


Boulderlamp PerfectPar™ 1000W

Full-Spectrum Spectral Power Distribution



PerfectPar 1000W PPF Map
4' x 5' grow tent with reflective surfaces
Hang height: 1 foot (30.5 cm)



Summary Specifications

Nominal input current: 277/240/208/120VAC	3.50/4.44/4.72/8.25A
Nominal input power: 277/240/208/120VAC	972/976/980/990W
BTU: 277/240/208/120VAC	3315/3328/3342/3376
Dimming range	100% -10%
Daisy chain units per 20A circuit: 277/240/208/120VAC	4/3/3/1
Coverage area	Up to 25 square feet
Dimension (L x W x H)	47" x 42" x 2.4"
Efficacy	2.7 $\mu\text{mol}/\text{J}$
Photosynthetic Photon Flux Density (PPFD) @277V	2620
Weight	30lb
Warranty	5 years

Screenshot of Default Flowering Light Level/Recipe - Week by Week

Start Date	Active	Interval	Light Level
Saturday, September 17	<input type="checkbox"/>	7 d.	25 %
Sep 23	<input type="checkbox"/>	7 d.	40 %
Sep 24	<input type="checkbox"/>	7 d.	40 %
Sep 30	<input type="checkbox"/>	7 d.	40 %
Oct 01	<input type="checkbox"/>	7 d.	50 %
Oct 07	<input type="checkbox"/>	7 d.	80 %
Oct 08	<input type="checkbox"/>	7 d.	80 %
Oct 14	<input type="checkbox"/>	7 d.	80 %
Oct 15	<input type="checkbox"/>	7 d.	90 %
Oct 21	<input type="checkbox"/>	7 d.	90 %
Oct 22	<input type="checkbox"/>	7 d.	100 %
Oct 28	<input type="checkbox"/>	7 d.	100 %
Oct 29	<input type="checkbox"/>	7 d.	100 %
Nov 04	<input type="checkbox"/>	7 d.	100 %
Nov 05	<input type="checkbox"/>	7 d.	90 %
Nov 11	<input type="checkbox"/>	7 d.	90 %
Nov 12	<input type="checkbox"/>	7 d.	80 %
Nov 18	<input type="checkbox"/>	7 d.	80 %