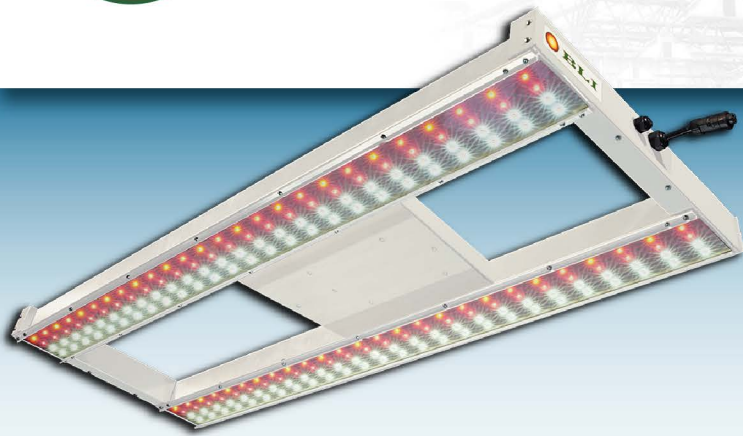


BLITM
Color Augmenting Horticulture Lighting



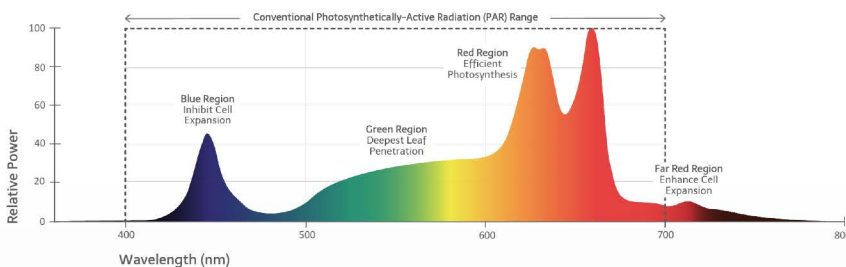
PerfectParTM 330W LED

BLI PerfectParTM series grow light is engineered for commercial horticulture cultivation. It utilizes top bin 100% OSRAM LEDs. Color Augmenting Technology integrates high efficiency white horticulture LEDs with specific red LEDs to create optimized grow spectrum for increased yield and potency. BLI's LED PerfectParTM series was created to get the most yield out of your LED footprint.

BLI PerfectParTM 330W uses 2 LED bars that are the same as used in PerfectParTM 650W LED arrays. The 330W modular design allows screwless attachments to multiple units to create 4, 6, 8, and up to 24 LED bars per 20A circuit and gives the ability to mix and match single bar, two bar, and four bar arrays for maximum flexibility and utilization of grow space.

SPECTRAL POWER DISTRIBUTION

PerfectParTM LED series



Light Source: 100% OSRAM Top Bin LED Chips
Color Augmenting Technology: Optimized Photosynthetically Active Radiation (PAR) Spectrum
Efficiency: >2.5 μmol s⁻¹ per Watt
Dimming: 0-10V, Independent Dimming of White and Red LEDs
Electrical and Wet Rating: Meets UL Requirements
Recommended Mounting Height: 1 Foot Above Canopy
Warranty: 5 Year Limited

Powered by
Color Augmenting
 Technology
 and
OSRAM LEDs

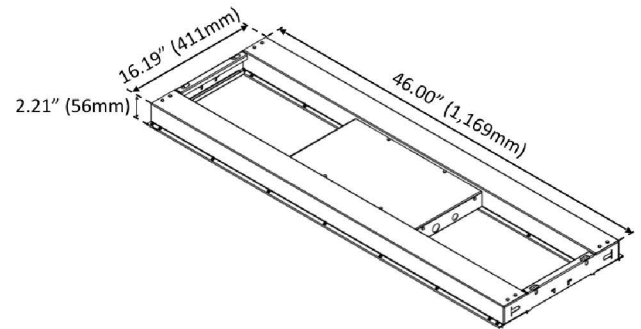
Electrical Specification

North America	120V	208V	240V	277V
Nominal Input Current	2.78	1.59	1.38	1.19
Nominal Input Power	333	331	330	330
BTU	1,136	1,129	1,125	1,125
Daisy Chained Units per 20A Circuit	5	8	10	12

General Features

Dimensions	16.2 in x 46 in x 2.2 in (411mm x 1,169mm x 56mm)
Weight	12 lbs
Configuration	2 Bar Array
Coverage Area	Up to 5ft x 2.5ft
Spectrum	Optimized Photosynthetically Active Radiation (PAR) Spectrum
Modular System	Screwless Multi-Unit, Attachment Option for Maintaining Equal Spacing Between Bars

TOP VIEW



Benefits

- ✔ Higher Yield & Potency
- ✔ Ideal for Both Flowering & Vegetative Stages
- ✔ Innovative Modular Design
- ✔ Vertical Grow & Odd Space Filler
- ✔ Daisy Chain & Dimming Capabilities

Applications

- ✔ Lower Cost of Ownership
- ✔ "Add as You Grow" Low Cost Expansion
- ✔ Low to Medium Height Greenhouse
- ✔ HPS Phasing Out Application
- ✔ Tent Friendly



© Copyright 2021 BoulderLamp, Inc.
 www.boulderlamp.com | info@boulderlamp.com | (303)-444-4852
 Horticultural lighting | Not suitable for household illumination